



 **schmidt**
a brand of aebi schmidt

MPC

Snow plough



The MPC is a single blade snow plough with an automatic two-segment override system to protect the plough against obstacles and provide perfect alignment to the road surface. With its flat blade shape and robust construction, the snow plough is ideal for urban applications where snow needs to be deposited at the edge of the road. Two versions are available: the MPC-S and the MPC-P. Both are very efficient and allow aggressive snow removal and, depending on their design and size, are suitable for mounting on narrow-track carrier vehicles and small tractors.

Highlights

- Automatic **override system**
- **Robust and light plough**
- **Aggressive and safe snow removal**

Your benefits

- **Economy:** Durable snow plough through the use of high-quality components.
- **High performance:** Both snow plough versions allow efficient and aggressive clearing.
- **Flexibility:** Suitable for small tractors or small implement carriers.

We know how important it is that your machines and equipment are always ready to deploy. **Get in touch with us** about our range of tailored services and original spare parts.



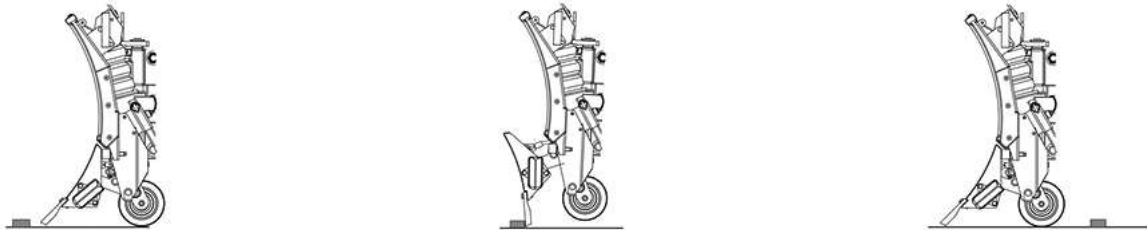
Performance features

Plough blade

The MPC is available in two versions: the MPC-S with a steel plough blade and the weight-reduced MPC-P with an upper ploughshare made of polyethylene. Both variants allow efficient and aggressive clearing thanks to the 45° angle of attack on the cutting edge. Massive blade reinforcements enable the safe handling of large quantities of snow. All functions are performed hydraulically and conveniently controlled from the control panel in the driver's cab.

Override security system

An automatic override security system ensures optimum safety when driving over obstacles without damaging the snow plough. A hollow rubber spring and a steel cable bring the cutting edge back into the clearing position after the obstacle has been passed.



Cutting edges

Steel cutting edge (S)

A multi-purpose, cost optimised solution for aggressive clearing of hard and/or compact snow. Steel cutting edges are resistant to bending and twisting, giving a clean result.

Combi cutting edge (C36 / C50)

A more durable cutting edge made of steel, rubber and ceramic. This cutting edge is meant for aggressive snow clearing and can be a good alternative if the steel cutting edge is wearing out too fast. The combination of materials ensures noise and vibration reduction.



Lifting device

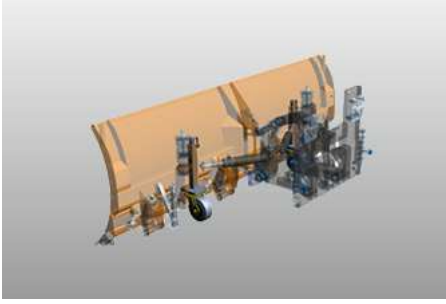
The lifting system offers maintenance-free and noise-free transverse inclination compensation, and is characterised by identical lifting and swivel cylinders. The pivot point consists of a noise and vibration-reducing polyacetal bushing.

Hydraulic angling system

Thanks to the hydraulic side shift, the plough can be swivelled through 32° or 36° to left or right. During the angling, swivel cylinders equipped with over-pressure protection ensure optimum power transmission so that the plough can be positioned without play in the selected clearing position.

Working support devices

The castor wheels ensure precise adjustment of the snow plough and provide appropriate aggressiveness during snow clearing. They support the frame when driving over obstacles and extend the service life of the cutting edge.



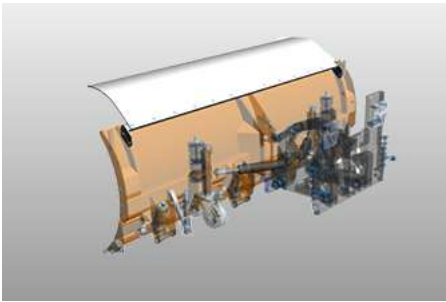
Kerb deflectors

Kerb deflectors protect the cutting edge and ploughshare against damage when hitting a curbstone.



Snow deflector

Snow deflector prevents that the snow flow over the ploughshare directly on the windscreen.



Mounting

The mounting attachment consists of a weight-optimised three-link lifting system, an attachment plate with mounting holes and a hydraulic lifting and lowering device.

With the height-adjustable implement plate and the three-point attachment (Cat I - III), the MPC offers various attachment options for the Aebi TT and VT/TP vehicles, along with various narrow track vehicles and tractors.

Options

- Warning flags
- LED Plough side lights

Gallery



Variants

MPC-P 24



- Snow plough height (without snow deflector): 915 mm
- Length at the scraper bar: 2,400 mm
- Clearing width: 2,037 mm
- Weight with steel scraper bars approx. (kg): 522 kg

MPC-P 26



- Snow plough height (without snow deflector): 915 mm
- Length at the scraper bar: 2,600 mm
- Clearing width: 2,207 mm
- Weight with steel scraper bars approx. (kg): 538 kg

MPC-P 28



- Snow plough height (without snow deflector): 915 mm
- Length at the scraper: 2,800 mm
- Clearing width: 2,376 mm
- Weight with steel scraper bars approx. (kg): 554 kg

MPC-S 26



- Snow plough height (without snow deflector): 1,025 mm
- Length at the scraper bar: 2,600 mm
- Clearing width: 2,135 mm
- Weight with steel scraper bars approx. (kg): 535 kg

MPC-S 28



- Snow plough height (without snow deflector): 1,025 mm
- Length at the scraper: 2,800 mm
- clearing width: 2,295 mm
- Weight with steel scraper bars approx. (kg): 562 kg

MPC-S 30



- Snow plough height (without snow deflector): 1,025 mm
- Length at the scraper bar: 3,000 mm
- clearing width: 2,460 mm
- Weight with steel scraper bars approx. (kg): 597 kg

Related products

FLL

Snow plough



CP

Snow plough



SNK

Snow plough





Trust in our many years of uniquely diverse experience. **Get in touch with us.** We'll find the right solution for your specific challenge.

Technical data

	MPC-P 24	MPC-P 26	MPC-P 28
Dimensions			
Plough height	915 mm	915 mm	915 mm
Length at cutting edge	2,400 mm	2,600 mm	2,800 mm
Clearing width	2,037 mm at 32°	2,207 mm at 32°	2,376 mm at 32°
Transport width	2,231 mm at 32°	2,400 mm at 32°	2,571 mm at 32°

Weights

Approx. weight with steel cutting edges	522 kg	538 kg	500 kg
---	--------	--------	--------

	MPC-S 26	MPC-S 28	MPC-S 30
Dimensions			
Plough height	1,025 mm	1,025 mm	1,025 mm
Length at cutting edge	2,600 mm	2,794 mm	3,000 mm
Clearing width	2,135 mm at 35°	2,295 mm at 35°	2,460 mm at 35°
Transport width	2,350 mm at 35°	2,515 mm at 35°	2,696 mm at 35°

Weights

Approx. weight with steel cutting edges	535 kg	562 kg	597 kg
---	--------	--------	--------



© Aebi Schmidt Group
www.aebi-schmidt.com

Aebi Schmidt Holding AG
CH-8050 Zurich, Switzerland

All rights reserved. Technical data is subject to change.
Illustrations are not binding. Errors and amendments excepted.

Document created on 9 JUN 2024

